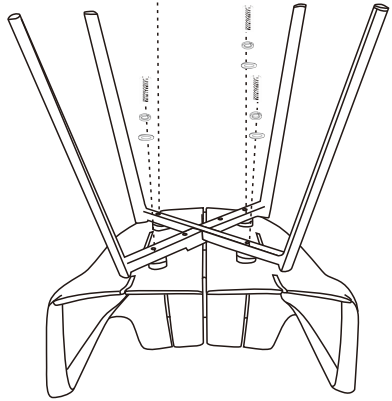
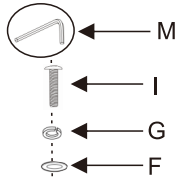
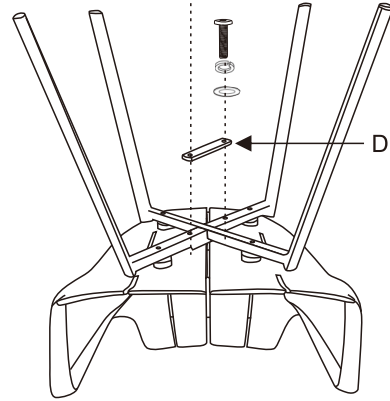
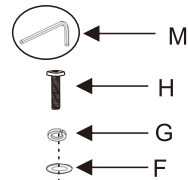


3<sup>rd</sup> step



4<sup>th</sup> step



Component List:

No.	Pictures	Quantity	No.	Pictures	Quantity
A		1PC	G		6PCS
B		1PC	H		2PCS
C		1PC	I		4PCS
D		1PC	J		4PCS
E		4PCS	K		4PCS
F		6PCS	L		1PC
			M		1PC

ASSEMBLY INSTRUCTION

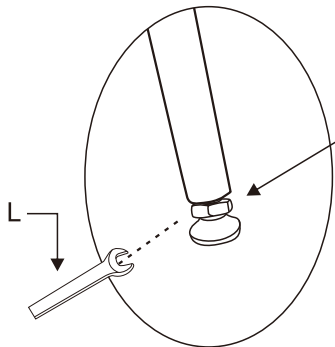
370-CPP12-C

sømcasa

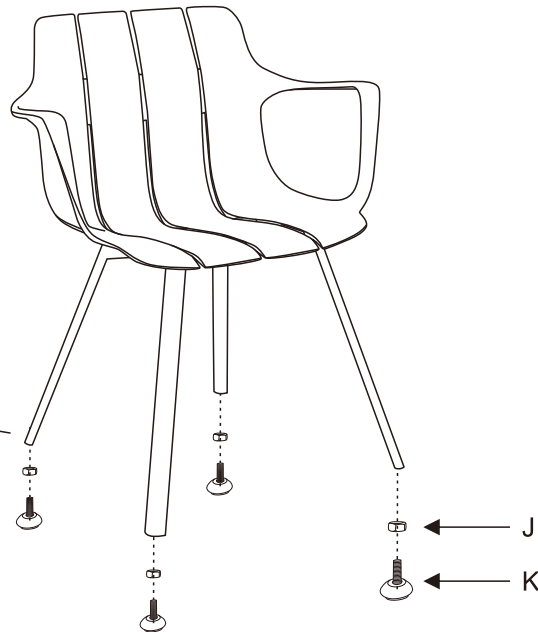
living home



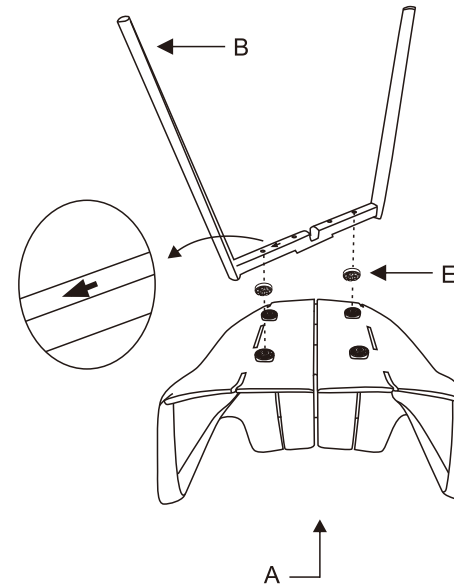
5<sup>th</sup> step



Stability adjustable via " J " .



1<sup>st</sup> step



2<sup>nd</sup> step

