
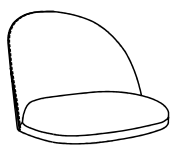
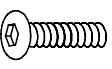




①  x 1	②  x 1		
A  x 4	B  x 4	C  x 1	

