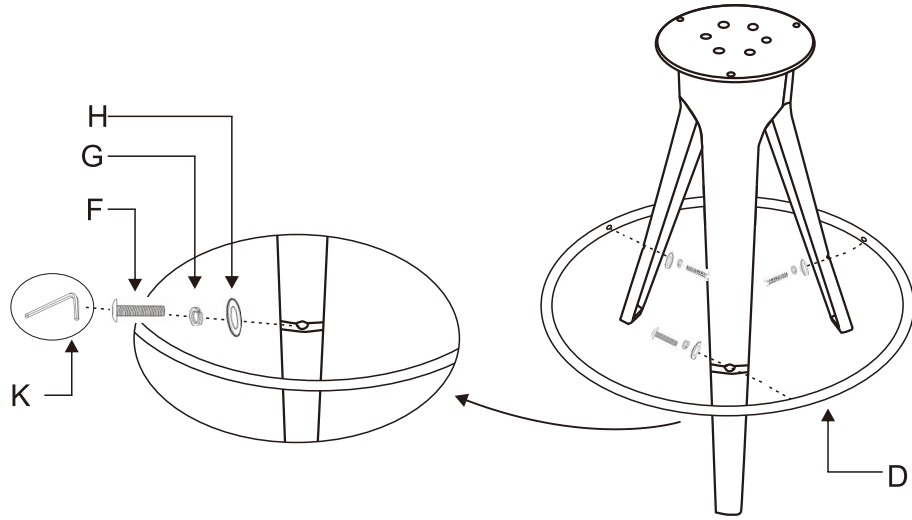


3rd step



Component List:

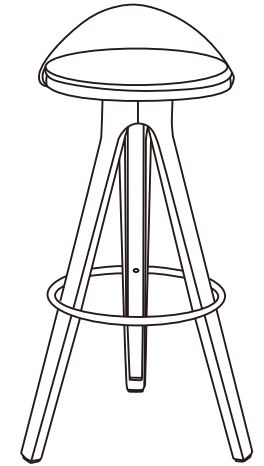
No.	Pictures	Quantity
A		1PC
B		3PCS
C		1PC
D		1PC
E		6PCS
F		3PCS
G		3PCS
H		3PCS
I		3PCS
J		3PCS
K		1PC

ASSEMBLY INSTRUCTION

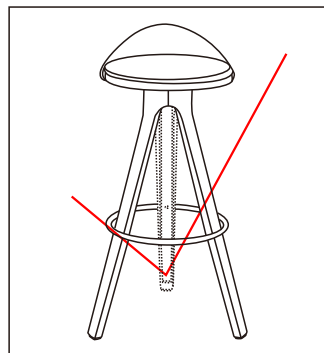
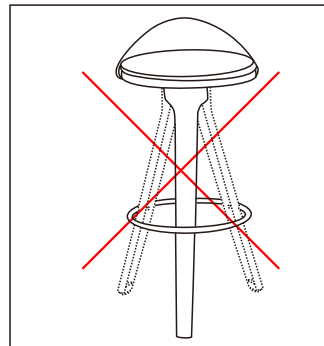
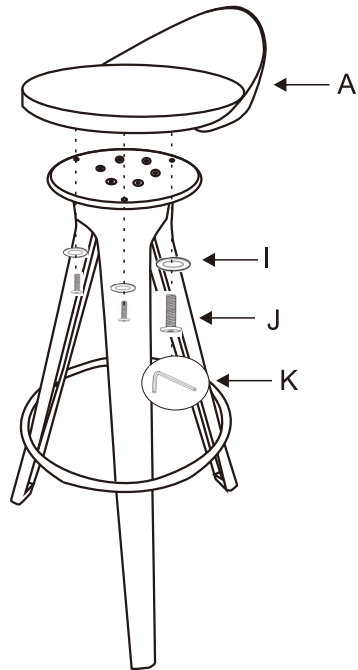
301-DCVB

sømcasa

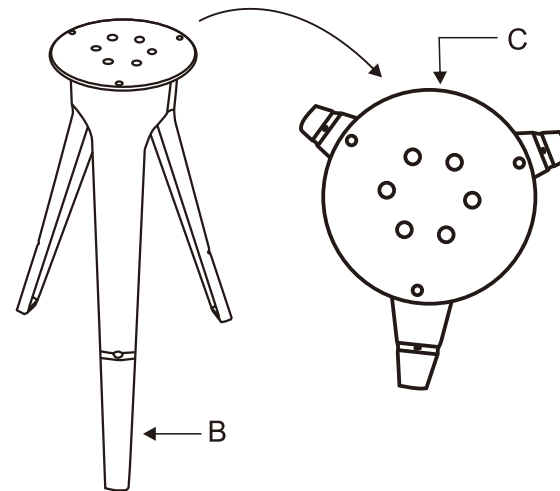
living home



4th step



1st step



The 3 outermost holes at "C" must be aligned with each legs.

2nd step

