


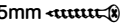

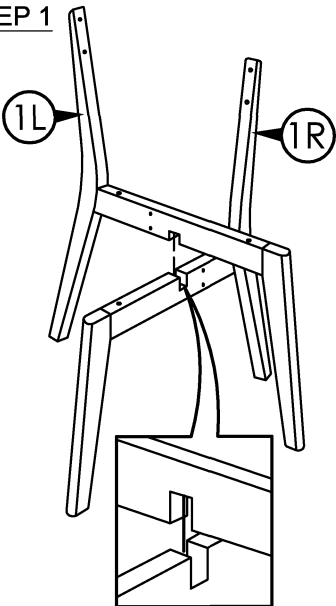


sømcasa

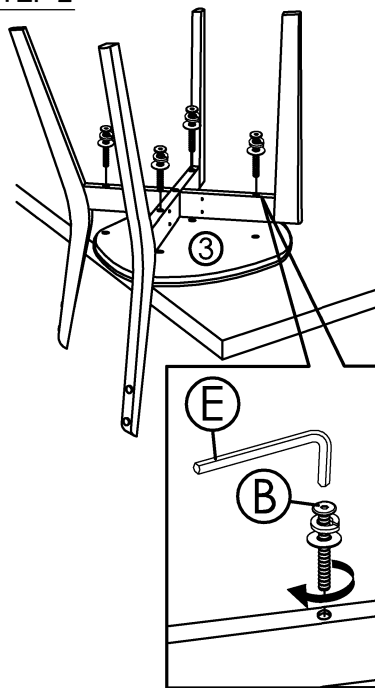
living home

HARDWARE LIST			PART LIST		
A	JCBC M6 x 25mm + S/W M6 + F/W M6 x 13mm 	4PCS	1	LEG L/R	2PCS
B	JCBC M6 x 55mm + S/W M6 + F/W M6 x 13mm 	4PCS	2	TOP REST	1PC
C	JCBC W SCREW M7 x 40mm 	1PC	3	CUSHION SEAT	1PC
D	FH SCREW #8 x 25mm 	8PCS	4	CORNER BLOCK	2PCS
E	ALLEN KEY M4 (Ball Shape) 	1PC			

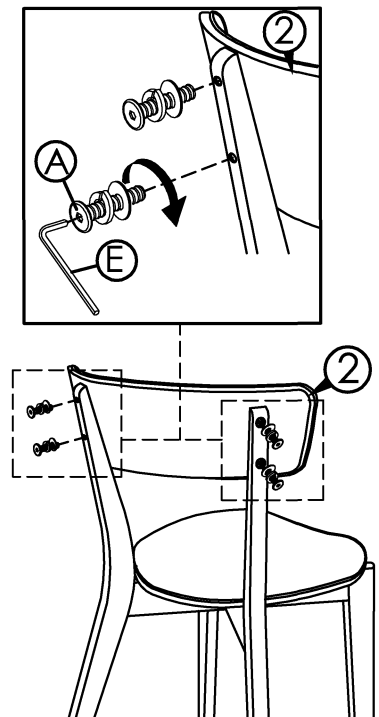
STEP 1



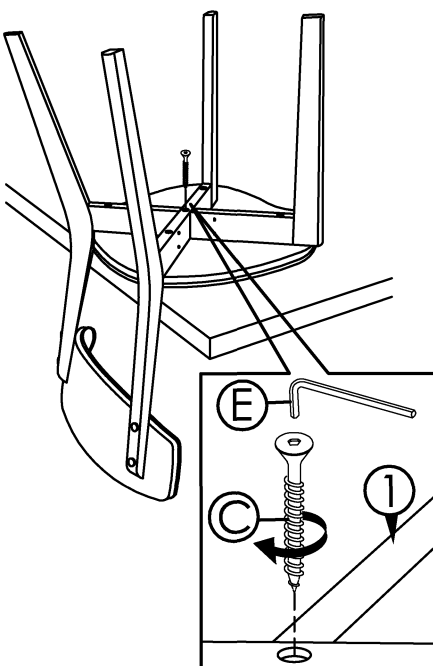
STEP 2



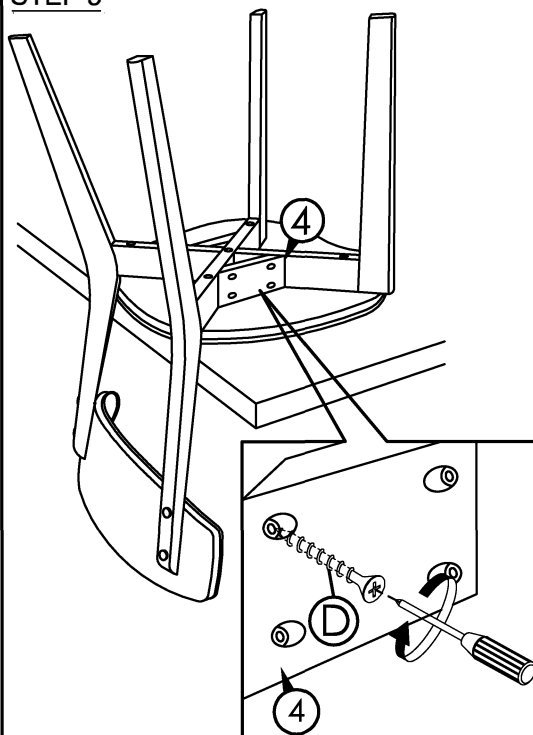
STEP 3



STEP 4



STEP 5



STEP 6

